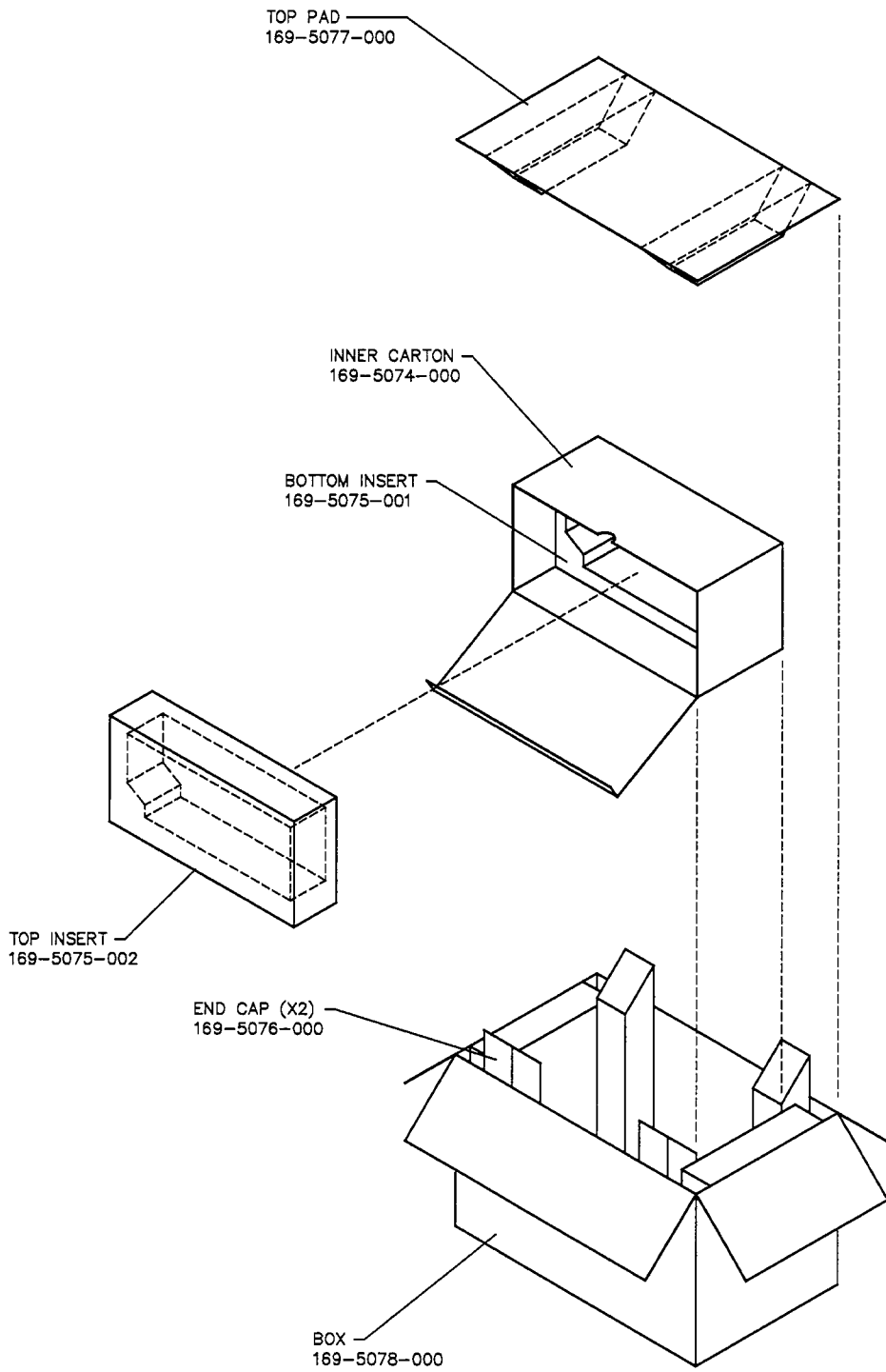


COLLINS GENERAL AVIATION DIVISION  
COMPONENT MAINTENANCE MANUAL with IPL  
AHC-85D/85E, PART NO 622-7386-001



CGO-1992-01-AC-1

AHC-85D/85E Shipping Container, Exploded View  
Figure 701